

CLEVERTOUCH®



INSTALLATION GUIDE

FOR WALLMOUNTED AND MOBILE ELECTRICAL
HEIGHT ADJUSTABLE “LIGHT” SYSTEMS FOR USE
WITH UP TO 86" DISPLAYS

CONTENT

Important hazard and safety notes	4
Assembly instructions	5 – 8
Mobile systems	5
Systems with floor panel	5
Wall mounted systems	5
“Light” Frame installation	6
Operating unit for height	6
EC-Declaration of conformity	7–10
Certificate of compliance	11



Thank you for purchasing our electrical height adjustable units. Please carefully read all provided informations before assembling and usage. Assembly is uncomplicated but should be done by trained personal only.

General hints for startup

Before connecting the unit to the power supply please check that up/down movement of the unit will not be blocked by any table, chair, other furniture etc. Please also read attached hazard and safety notes.

Limitation of usage

This unit must not be equipped / used with other

components (i.e. trolley, frame unit for interactive components, etc.) but those, which are certified by us. We cannot take over any warranty for safety and proper function for third party components.

The maximum load of the unit is 150 kg/ 330 lbs. So do not mount external units (interactive monitors, boards etc.) with a weight higher than 120 kg/ 264 lbs or others not certified by us.

Hint

Changes made to components, which serve to technical progress, can be put into effect without prior notice.

Important hazard & safety notes

Please carefully read the below hazard and safety notes before using the height adjustment unit.
This adds to make the unit work failure-free and avoids accidents.

Electrical safety



Connect unit to a free accessible 110 – 230 V / 50 Hz grounded power outlet only. Make sure, the unit can be immediately separated from the power outlet.

Only use unit in dry rooms, protect unit from water and other liquids. Only wipe unit with dry cloth.

Do not open lift unit. **RISK OF ELECTRIC SHOCK.** There are no serviceable parts inside.

In case of disfunction unplug unit from power outlet and call an authorised technical service person.

Do not overrun line cord or damage in any other way. Replace damaged line cords immediately with new one from same type.



The socket connections of the unit and the wall socket must be easily accessible.



The device is not dripping or splash water protected.

Do not place objects filled with liquids on or spray the device.

General hints for mechanical safety



Do not improperly load unit. Do not mount other than original parts (whiteboard, wings, interactive board, interactive monitor, projector) in conjunction with original mounting parts. Do not hang on unit.

VERY HEAVY UNIT.

Severe risk of injury when unit falls over due to improper usage. Only use original mounting parts provided with the system. Max load of lift unit is 150 kg/ 330 lbs. Do not exceed.

Assure installation of unit by authorized service person only.

Before moving the unit up or down assure at least a safety distance of 20 cm/ 7.9 from any part of the unit to any other fitment in order to avoid shear traps or squeezing points.

In case of accident please release operating panel. Movement of unit will stop immediately.

Special hints for moveable und free standing units



Only operate unit on plane and stable floors. Move unit on plane floors only.

Risk of tilting when overrunning floor unevennesses, door sills and similar.

VERY HEAVY UNIT.

Severe risk of injury when unit falls over. Lock brakes of front wheels when operating unit.

Special hints for wall mounted units



Use appropriate wall mounting material only. Choose douwels and screws according to the wall type and material. Using improper mounting material may result in tilting of the unit and severe risk of injury.

Wall mounting must be done by experienced personal only.

Instructions for disposal



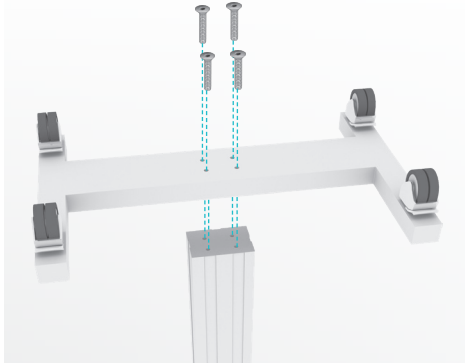
Do not dispose to consumer waste.

MOBILE SYSTEMS

FOR V-STAND

Connect the trolley to the column.

- 4 x lens head Allen screw with flange
M8 x 40 mm

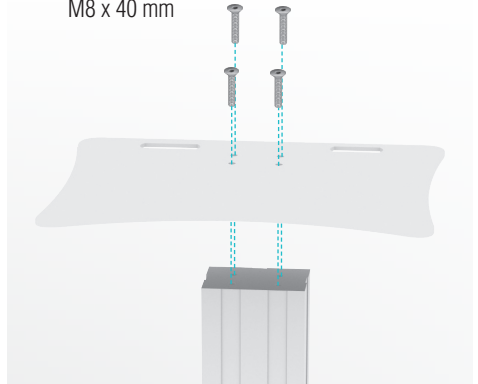


SYSTEMS WITH FLOOR PANEL

FOR FLOOR PANEL

Connect the floor panel to the column.

- 4 x countersunk Allen head screw
M8 x 40 mm

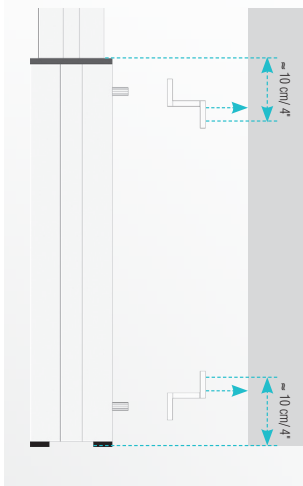


WALL MOUNTED SYSTEM

1.

Fix 2 x Z-bracket to the wall.

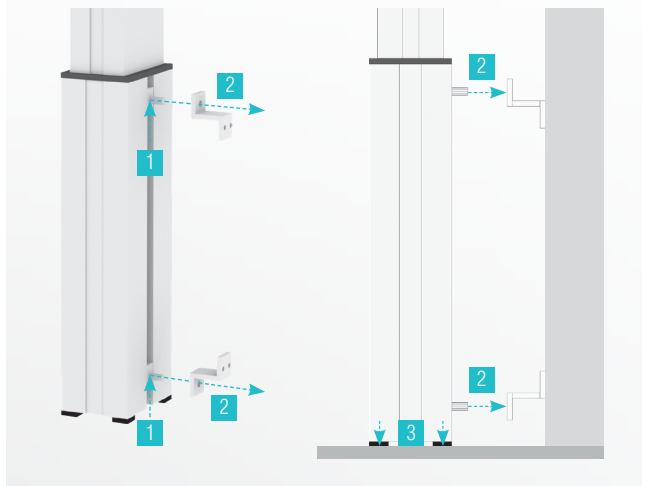
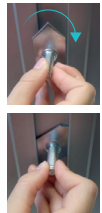
Wallmounting material is not included.



2.

- 1 Put 2 sliding blocks into the rail
- 2 Connect it to the Z-bracket
- 3 Screw the floor leveling feet against the floor

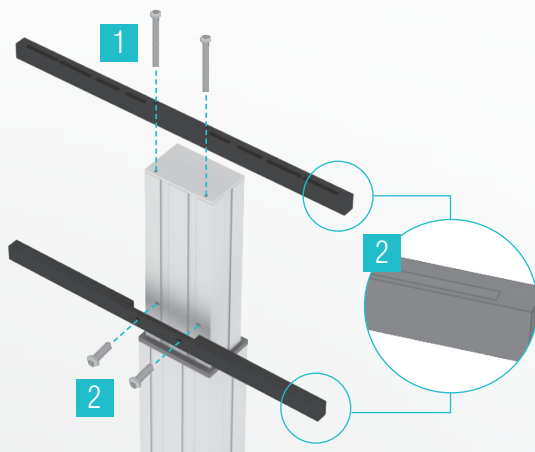
- 2 x selflocking nut M8
- 2 x washer 8 mm



"LIGHT" FRAME INSTALLATION

1.

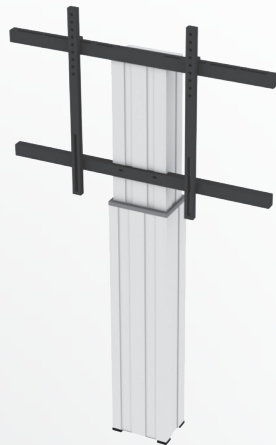
- 1 Attach upper bar using 2 x lens head Allen screw with flange M8 x 85 (long) and ensure the slotted holes facing upwards and towards the screen.
- 2 Attach lower bar using 2 x M6 x 30 (short) screws and ensure the slotted holes facing floor and towards the screen.



2.

Secure "lift & lock"-brackets to the display, before attaching to mount.

To attach the display to the mount use the included 4 x M8 x 16 mm or 4 x M6 x 16 mm lens head Allen screw with flange.



OPERATING UNIT FOR HEIGHT ADJUST-

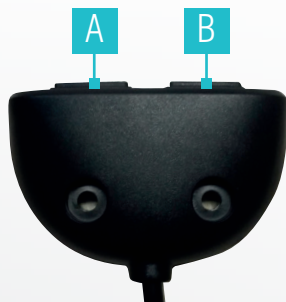
1.

For moving the unit up or down just press and hold the buttons on the control unit. Releasing the button will immediately stop the movement. So in case of emergency just unhand the control unit (watchdog switch).

Height adjustable

A Up

B Down



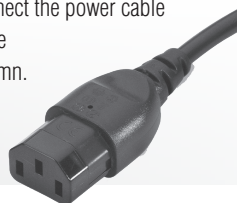
2.



Connect the 5-pole plug of the cable remote control to the column.

3.


Connect the power cable to the column.





EC-DECLARATION OF CONFORMITY
in accordance with European directive 2006/42/EG, part II A

We hereby certify that the machine described hereafter, in its design and construction and in the model put into circulation, complies with all relevant health and safety requirements of the EC machinery directive 2006/42/EG. Any modification to our product, without our written consent, will result in this declaration to become void.

Manufacturers name or of his representative	Conen Produkte GmbH, D - 54497 Morbach-Gonzerath
Description of the machine	Motorized lift system for displays and (interactive) boards
Part-No.	SCETA (-L) / SCETA-W(L) / SCETTA/ SCETA VLI / CCELW-AF
European directive(s)	EC-machinery directive (2006/42/EG) EMC directive (2014/3/EU) WEEE-Directive 2012/19/EU WEEE-Registration-Nr 12204025
European standards	EN 14434:2010-04 / EN 60335-1:2012 / EN 62233:2008 EN 61000-3-2:2006+A1:2009 EN 61000-3-3:2008 EN 61000-6-1:2007 EN 61000-6-3:2007 EN 55024:2010 / 55014-1:2006+A1:2009+A2:2011
National standards and specifications	ROHS Directive 2011/65/EU IEC 61558-1 und 2:2009 C/US Authorisation to Mark „ETL“
Person in charge for document collection	Jürgen Heesen
Declaration signed by	Marcus Staudt
Position	Product development
Date and signature	10.08.2018, 



EG-KONFORMITÄTSERKLÄRUNG gemäß EG-Richtlinie Maschinen 2006/42/EG, Anhang II A

Hiermit erklären wir, dass die nachstehend bezeichnete Maschine in ihrer Konzeption und Bauart sowie in der von uns in Verkehr gebrachten Ausführung den grundlegenden Sicherheits- und Gesundheitsanforderungen der EG-Richtlinie Maschine entspricht. Bei einer mit uns nicht abgestimmten Änderung der Maschine verliert diese Erklärung ihre Gültigkeit.

Hersteller	Conen Produkte GmbH, 54497 Morbach-Gonzerath
Bezeichnung der Maschine	Elektrische Hubsäuleneinheit für Tafelsysteme
Maschinen-Nr.	SCETA (-L) / SCETA-W(L) / SCETTA/ SCETA VLI / CCELW-AF
Zutreffende EG-Richtlinien	EG-Richtlinie Maschine (2006/42/EG) EG – EMV (2014/3/EU) ROHS Directive 2011/65/EU WEEE-Richtlinie 2012/19/EU WEEE-Registriernummer 12204025
Angewandte harmonisierte Normen insbesondere	EN 14434:2010-04 / EN 60335-1:2012 / EN 62233:2008 EN 61000-3-2:2006+A1:2009 EN 61000-3-3:2008 EN 61000-6-1:2007 EN 61000-6-3:2007 EN 55024:2010 / 55014-1:2006+A1:2009+A2:2011
Angewandte nationale Normen und technische Spezifikationen insbesondere	ROHS Directive 2011/65/EU IEC 61558-1 und 2:2009 C/US Authorisation to Mark „ETL“
Bevollmächtigter für die Zusammenstellung der Dokumente	Jürgen Heesen
Name des Unterzeichners	Marcus Staudt
Funktion des Unterzeichners	Leiter Produktentwicklung
Datum/Unterschrift	10.08.2018, 



EU CONFORMITEITSVERKLARING volgens EG-richtlijn 2006/42/EG, bijlage II A

Hierbij verklaren wij, dat de hierna beschreven producten, in ontwerp en constructie alsmede in de in omloop gebrachte uitvoering, voldoen aan de veiligheids- en gezondheidseisen van de Europese Machinerichtlijn. Bij onbevoegde wijzigingen aan ons product verliest deze verklaring haar geldigheid.

Producent	Conen Produkte GmbH, D - 54497 Morbach-Gonzerath
Produktbeschrijving	Electrisch kolommensysteem voor monitoren en (interactieve) schoolborden
Produktnummer	SCETA (-L) / SCETA-W(L) / SCETTA/ SCETA VLI / CCELW-AF
Geldende EG richtlijnen	EG-machinerichtlijn (2006/42/EG) EMC richtlijn (2014/3/EU) WEEE richtlijn 2012/19/EU WEEE-Register 12204025
Specifiek toegepaste geharmoniseerde normen	EN 14434:2010-04 / EN 60335-1:2012 / EN 62233:2008 EN 61000-3-2:2006+A1:2009 EN 61000-3-3:2008 EN 61000-6-1:2007 EN 61000-6-3:2007 EN 55024:2010 / 55014-1:2006+A1:2009+A2:2011
Toegepaste nationale normen en technische specificaties	ROHS Directive 2011/65/EU IEC 61558-1 en 2:2009 C/US autorisatie voor "ETL" markering
Gevolmachtigde voor de opstelling der documenten	Jürgen Heesen
Naam van ondergetekende	Marcus Staudt
Functie ondertekenaar	Manager Productontwikkeling
Datum / Handtekening	10.08.2018, 



EC-DECLARATION DE CONFORMITÉ
conformément à la directive européenne 2006/42/CE, partie II A

Nous certifions que la machine décrite ci-après, dans sa conception et sa construction et dans le modèle mis en circulation, conforme à toutes les exigences de la directive 2006/42/CE. Toute modification de notre produit, sans notre consentement écrit, se traduira par la présente déclaration à devenir nulle.

Nom du fabricant ou de son représentant	Conen Produkte GmbH, D - 54497 Morbach-Gonzerath
Description de la machine	Système de levage motorisé pour les moniteurs et les tableaux (interactive)
Référence	SCETA (-L) / SCETA-W(L) / SCETTA/ SCETAVLI / CCELW-AF
Directive(s) européenne(s)	Directive CE machines (2006/42/CE) Directive CEM (2014/3/CE) Directive WEEE 2012/19/EU Numéro d'enregistrement WEEE 12204025
Normes européennes	EN 14434:2010-04 / EN 60335-1:2012 / EN 62233:2008 EN 61000-3-2:2006+A1:2009 EN 61000-3-3:2008 EN 61000-6-1:2007 EN 61000-6-3:2007 EN 55024:2010 / 55014-1:2006+A1:2009+A2:2011
Normes nationales	Directive ROHS 2011/65/EU IEC 61558-1 et 2:2009 C/US authorisation pour marquer „ETL“
Responsable de collection de documents	Jürgen Heesen
Déclaration signée par	Marcus Staudt
Position	Developement du produit
Date et signature	10.08.2018, 

CERTIFICATE OF COMPLIANCE

Certificate Number 20180802-E496872
Report Reference E496872-20180201
Issue Date 2018-AUGUST-02

Issued to: Conen Produkte GmbH & Co. KG
Conen Strasse 4
54497 Morbach-Gonzerath GERMANY

This is to certify that representative samples of MOTORIZED FURNISHINGS
Motorized Cart, Models SCETA and SCETTA Series.

Motorized Stand, Models CCELW-AF and SCETAWL Series.

Model number may be provided with additional suffixes to indicate changes not affecting safety.

Have been investigated by UL in accordance with the Standard(s) indicated on this Certificate.

Standard(s) for Safety: UL 962, Household and Commercial Furnishings
CAN/CSA C22.2 No. 68-09, Motor-Operated Appliances
(Household and Commercial)

Additional Information: See the UL Online Certifications Directory at
www.ul.com/database for additional information

Only those products bearing the UL Certification Mark should be considered as being covered by UL's Certification and Follow-Up Service.

Look for the UL Certification Mark on the product.

B. Mahholz

Bruce Mahrenzholz, Director North American Certification Program

UL LLC

*Any information and documentation involving UL Mark services are provided on behalf of UL LLC (UL) or any authorized licensee of UL. For questions, please contact a local UL Customer Service Representative at <http://ul.com/aboutul/localinfo/>.



CLEVERTOUCH®



Manufacturer

Clevertouch
Europe House, Littlebrook
DC1, Shield Rd, London
DA1 5UR, UK

+44 (0)20 8319 7777

info@clevertouch.com

www.clevertouch.com