



**POLE
MOUNT TO
WALLS**

BT7831

WALL MOUNTING BRACKET FOR Ø50MM POLES



Designed to mount Ø50mm poles onto walls, the BT7831 is ideal for installing flat screens and other AV equipment at locations where it is not possible to fix to the floor or ceiling (or both) or when there is a large section of wall behind the installation which is not strong enough to fix to.

SPECIFICATION

Max Load	150kg*
Use 2x BT7831 for a wall mounted pole installation	
Use 1x BT7831 with a B-Tech ceiling / floor mount for a ceiling-to-wall or floor-to-wall installation	
Distance from wall	145mm (113mm to centre of pole)
Colour	Black

**Max load can be increased when used as part of a floor-to-ceiling installation*

FEATURES

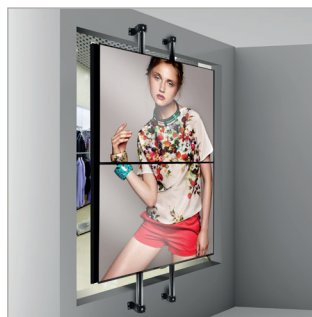
- Allows poles to be mounted vertically on to walls
- Ideal for use with B-Tech ceiling / floor mounts to create ceiling-to-wall or floor-to-wall installations
- Heavy duty steel capable of supporting substantial loads
- Supplied with safety bolt for secure installation
- All mounting hardware included



Compatible with B-Tech Ø50mm poles



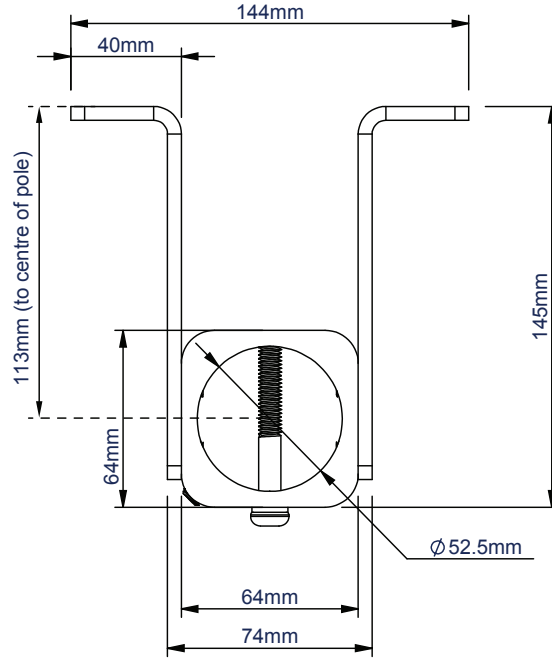
Includes safety bolt and grub screws for extra safety



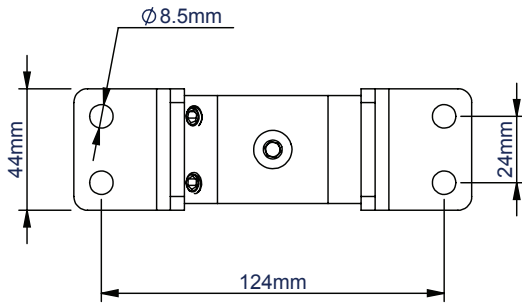
Pole mount screens to the wall



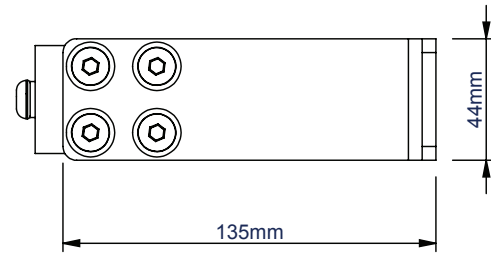
Ideal for creating multi-screen pole mounted installations - such as video walls



TOP VIEW



BACK VIEW



SIDE VIEW

PACKING INFORMATION

COLOUR:	ORDER REF:	EAN CODE:	MASTER CARTON QTY:	INNER CARTON QTY:	MASTER CARTON WEIGHT:	MASTER CARTON CUBE:
Black	BT7831/B	5019318759673	1	0	0.86kg	0.005cbm

ACCESSORIES AND RELATED PRODUCTS FOR USE WITH BT7806

BT7850



50mm diameter poles available in different lengths up to 3m

BT7841



50mm Accessory Collar for fixing mounts & accessories to Ø50mm poles

BT7807



Heavy Duty Twin Floor / Ceiling Mount perfect for use with double poles

BT7056



Floor Fixing Kit for fixing poles to the floor in floor-to-wall installations

© 2015 B-Tech Professional Limited. All rights reserved. The information is specific and not reflective of current technical specifications at the time of print. We accept no liability for loss or damage caused by improper or incorrect installation, use, or repair of any part of this specification. Any reproduction or transmission of this information without the prior written permission of B-Tech Professional Limited is strictly prohibited.

SS-BT7831-V1-240615