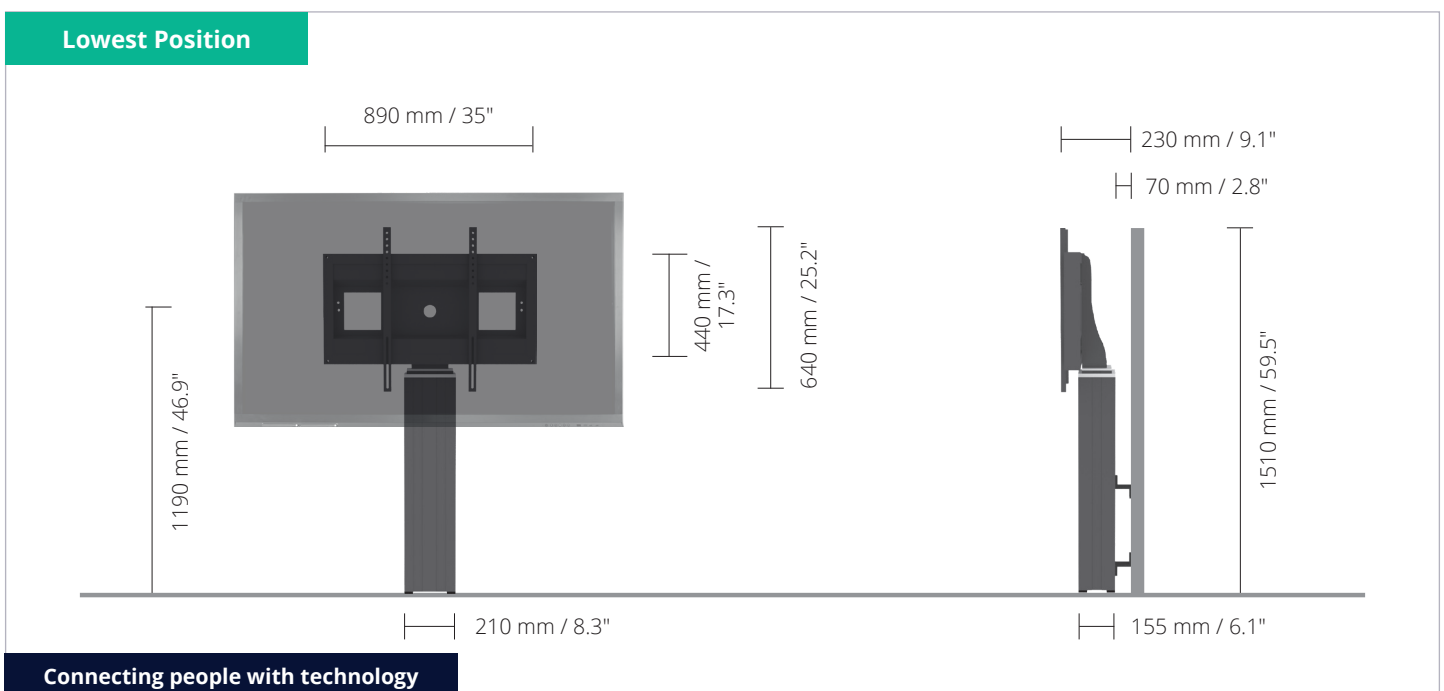
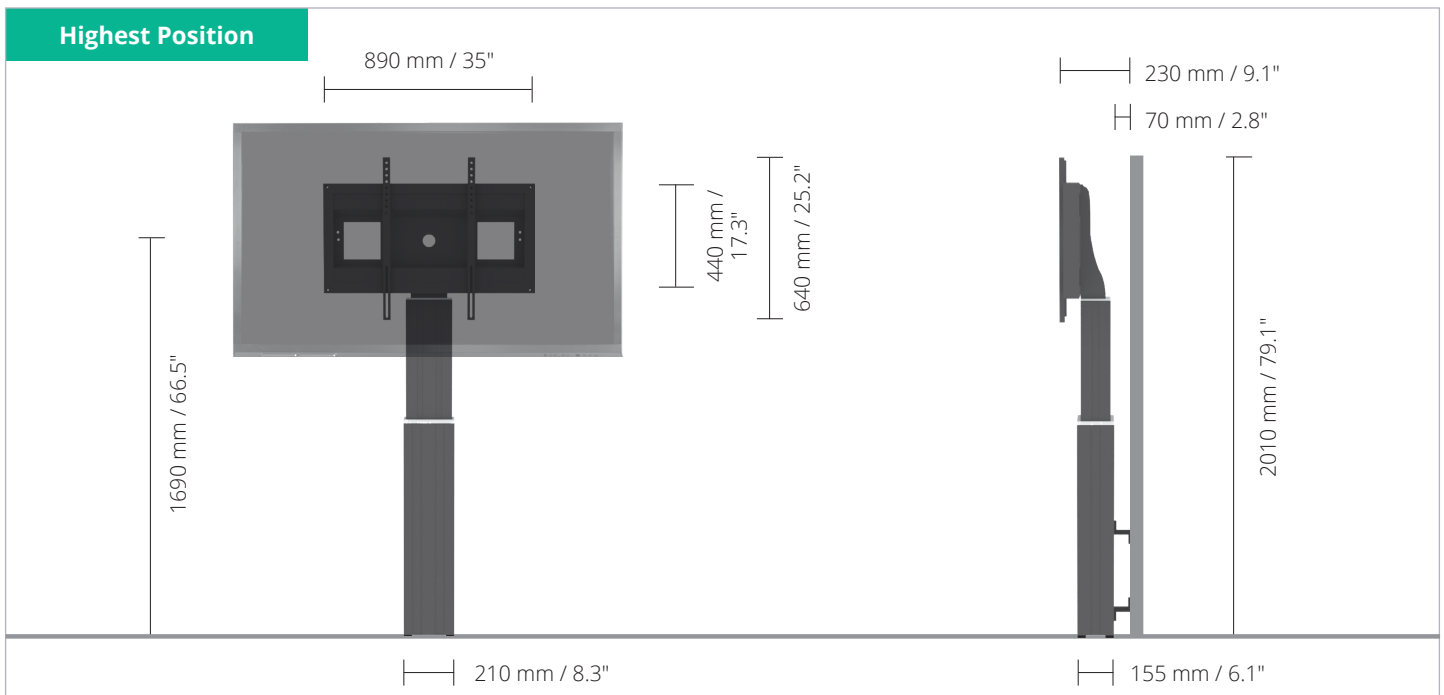


# Wall lift for up to 86" displays

- Electrical height adjustable column, black anodized.
- 500 mm of height adjustment.
- System suitable for mounting on appropriate walls, wall clearance 70 mm 4 leveling feet supplied.
- Display mount for use with up to 86" screens.
- VESA 200 x 200 up to 800 x 600.
- Maximum load approximately 150 kg / 330.7 lbs.



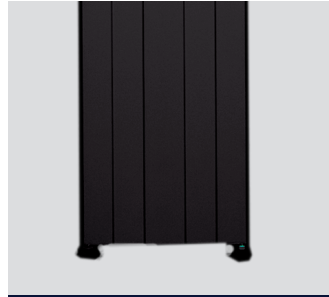
Connecting people with technology

# / Detail views, Accessories & Packing units

## Detail views



Pull & release locking brackets for easier mounting of display



Leveling feet

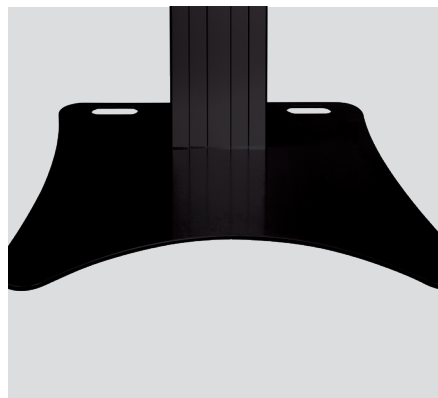


Wired remote control

## Accessories



Side shelf



Floor plate

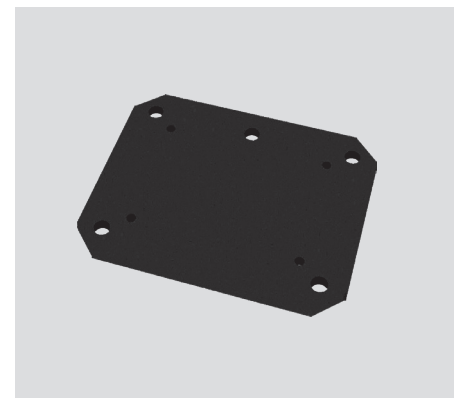


Plate to ground fixing

## Packing units

Item no.	Description	Packing dimensions (mm / ")	Net weight (kg / lbs)	Gross weight (kg / lbs)
CCE70B-W	Electrical height adjustable column, 500 mm / 19.7" height adjustment, L = 900 mm / 35.4"	1180 x 270 x 200 / 46.5 x 10.6 x 7.9	21,0 / 46.3	23,1 / 50.9
AF-SCETA-N	Display mount	160 x 900 x 450 / 6.3 x 35.4 x 17.1	11,7 / 25.8	13,6 / 30
<b>Total weight</b>			<b>32,7 / 72.1</b>	<b>36,7 / 80.9</b>

# / Size Index

