

Sahara Ceiling Mount Assembly Instructions

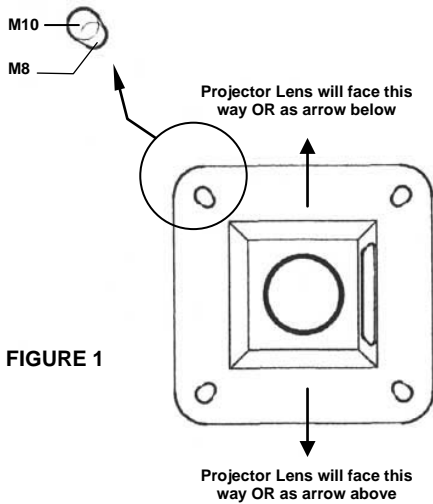


FIGURE 1

1. See figs 1 and 4. Note orientation of socket fixing holes and cable hole on ceiling plate and the direction that the projector will face when assembled, as shown by arrows.

2. Use ceiling plate as a template to mark drilling centres on the ceiling. Size and type of fixings used must be selected to suit ceiling and weight of all components to be suspended. Note that mounting holes are teardrop and will accept up to M10 at outer edge, up to M8 at inner (see fig1).

3. See fig 2. If length of support tube is altered, re-drill 11mm hole as shown.

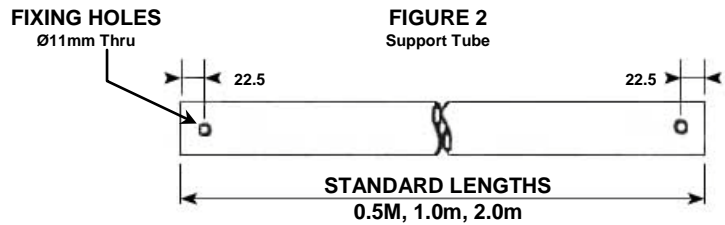


FIGURE 2
Support Tube



FIGURE 3
Socket Fixing

4. Refer to fig 3. Fit one of the m8 screws, (item 4) into the socket fixing (item 3).

5. Refer to fig 4. Assemble the support tube, sliding the support tube into the socket. Fit the socket fixing through both holes in the socket.

6. Refer to fig 4. Fit another m8 screw to the assembled socket fixing, item 3. Tighten both m8 screws to the socket fixing using the two security allen keys supplied with the kit.

7. Refer to fig 5. Fit 2 x m8 grubscrews, (item 5) using allen key (item 7). Tighten the screws evenly until the support tube is a solid fit to the socket. Do not over tighten these screws.

8. The PSU can now be fitted. See PSU assembly instructions.

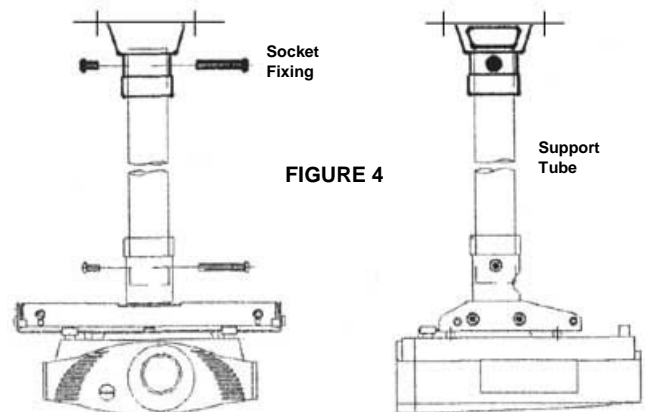


FIGURE 4

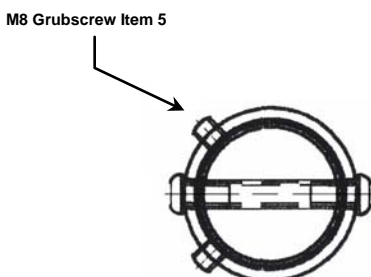


FIGURE 5
Grub Screws

Sahara Presentation Systems Plc
Williams House, Hailey Road, Erith, Kent, DA18 4AA

T • +44 (0) 20 8319 7777

F • +44 (0) 20 8319 7783

E • info@sahara-products.com

W • <http://www.sahara-products.com>