



**FITS ALL  
SCREENS  
46" - 60"**

# BT8371-2X2

## SYSTEM X™

### UNIVERSAL MOBILE VIDEO WALL STAND FOR 2X2 VIDEO WALLS

Designed to mount video walls in a 2x2 configuration, the BT8371-2x2 is a mobile mounting solution with a universal design suitable for all video wall screens from 46" to 60". As part of B-Tech's dynamic System X range, this contemporary mounting solution is lightweight yet incredibly strong, has a high-end aesthetic quality and comes with important time saving features such as tool-less 8 point micro-adjustment and a universal screen position spacer to speed up the installation process. For larger installations the BT8371 is also available as a 3x3 package or alternatively, visit [www.btechavmounts.com/systemx-configurator](http://www.btechavmounts.com/systemx-configurator) to specify a custom configuration that suits your needs.

#### SPECIFICATION

Recommended screen size	46" - 60"
Max load	50kg (per screen)
VESA® & non-VESA fixings	200 x 200 up to 600 x 400
Dimensions	W: 2005mm D: 950mm H: 1992 up to 2193mm
Colour (base & VESA arms)	Black
Colour (verticals)	Black or Silver
Colour (horizontal)	Silver

#### FEATURES

- Universal design suitable for all video wall screens
- High-end aesthetic quality
- Tool-less micro-adjustments at 8 points for seamless screen alignment
- Integrated cable management
- Includes non-marking 4" locking/braked castors and alternative levelling feet
- Collar compatible accessories such as shelves can be fitted directly to the extrusion
- Includes re-usable screen position spacer to aid installation of screens
- Safety screws help prevent unauthorised removal of screens
- All mounting hardware included



#### ALTERNATIVE CONFIGURATIONS



The BT8371-2x2 is an off-the-shelf kit designed for a common video wall setup. There are actually over 2000 different configurations of BT8371 available! Visit our online configuration tool to specify setups of up to 6x4 with different options such as screen size, orientation and leg height.

Try now at [www.btechavmounts.com/systemx-configurator](http://www.btechavmounts.com/systemx-configurator)



8 point tool-less micro-adjustment for seamless screen alignment



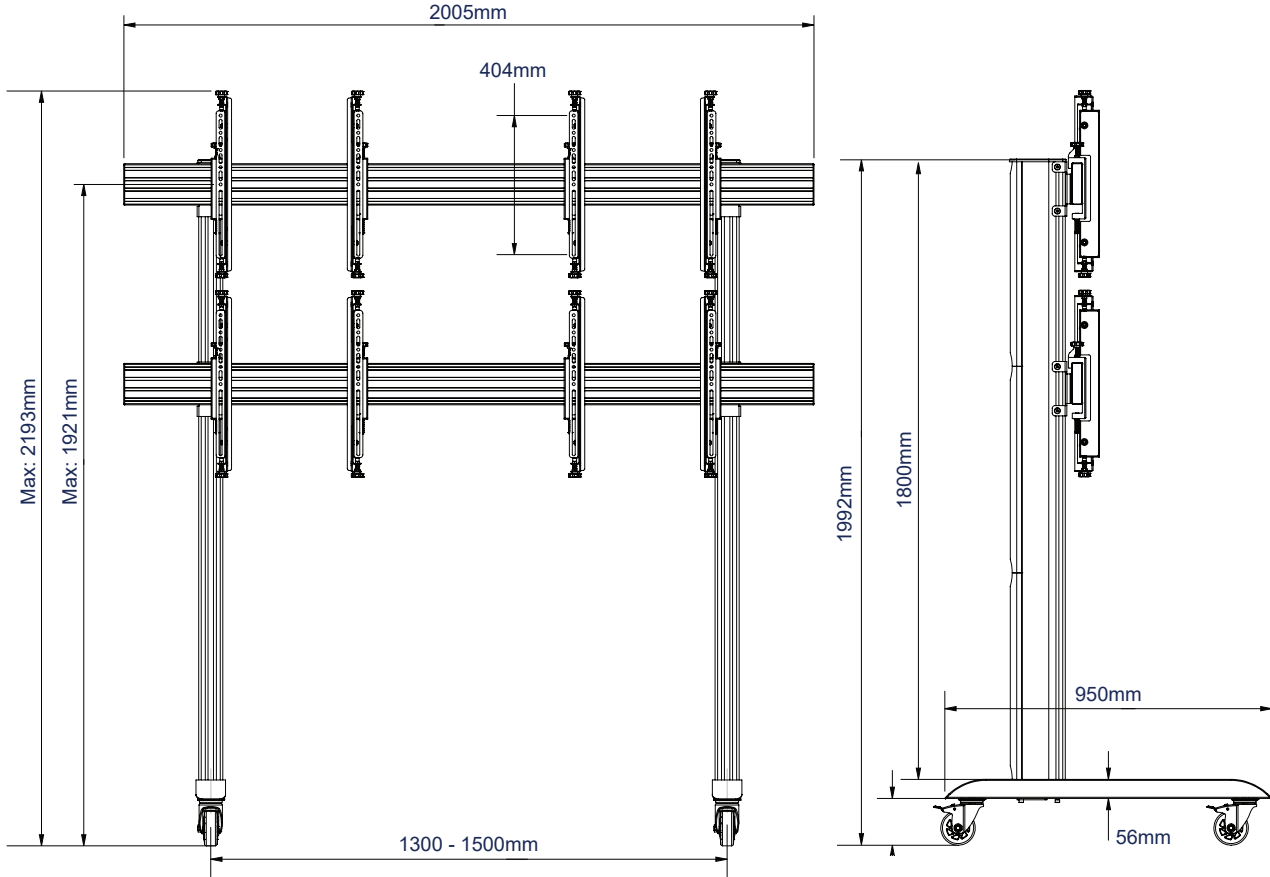
Cable management covers hide untidy cables and add to the stylish finish



Fit System 2 compatible accessories such as shelves without using collars



Screen spacer designed to eliminate calculations and guess work when installing horizontal rails



FRONT VIEW

SIDE VIEW

**PACKING INFORMATION**

PLEASE NOTE, THIS IS A 4 BOX ITEM THAT WILL BE PACKED AND DELIVERED ONTO A CUSTOM PALLET. ESTIMATED DIMS: 240 x 100 x 60cm WEIGHT: 112kg

COLOUR:	ORDER REF:	EAN CODE:	MASTER CARTON WEIGHT:	MASTER CARTON CUBE:
Black w/Black Columns	BT8371-2x2/BB	5019318501364	23kg / 17kg / 17kg / 27kg	0.129cbm / 0.103cbm / 0.603cbm / 0.0864cbm
Black w/Silver Columns	BT8371-2x2/BS	5019318501371	23kg / 17kg / 17kg / 27kg	0.129cbm / 0.103cbm / 0.603cbm / 0.0864cbm

**ACCESSORIES AND RELATED PRODUCTS**

**BT8371-3X3**



Universal Mobile Video Wall Stand for 3x3 Video Walls

**BT8370-2X2**



Universal Video Wall Stand for 2x2 Video Walls

**BT8370-3X3**



Universal Mobile Video Wall Stand for 3x3 Video Walls

**BT7032 / BT7033 / BT7863 / BT7865**



AV Accessory Shelves can be attached directly to a vertical column

© 2016 B-Tech Professional Design & Manufacturing Ltd. All rights reserved. The information in this specification is for reference only and does not constitute an offer of any product. B-Tech reserves the right to change the technical specifications without notice. This is not a contract. B-Tech is not liable for loss or damage caused by improper or misuse of its products. Any reproduction or transmission or republishing of any part of this specification is expressly prohibited unless prior written permission has been granted by B-Tech Professional Design & Manufacturing Ltd. Ltd.

SS-BT8371-2X2-V2.2-200918