

SPEAKER SYSTEM SP-55SM

ORDER CODE: 100013463

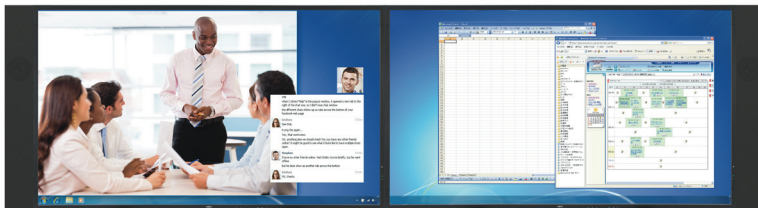
SPEAKERS FOR NEC LARGE FORMAT DISPLAYS

High-End Quality Speaker System for NEC Large Format Displays MultiSync® V552, X552S and P553

SP-55SM offers superior sound clarity and ensures you can hear everyone distinctly, even when multiple parties speak at the same time. The speakers are stylishly designed to be in line with the display and only requiring a few clips for installation or removal.

Ideal solution for Video Conferencing.

SP-55SM MOUNTED TO 2X NEC MULTISYNC® V552



SP-55SM front view



SP-55SM back view



Delivering Genuine Benefits

High-end quality speaker system offering superior sound quality

Stylishly designed to be in line with the display

Universal bracket set included for NEC MultiSync® V552, X552S and P553

Only requiring a few clips for installation or removal

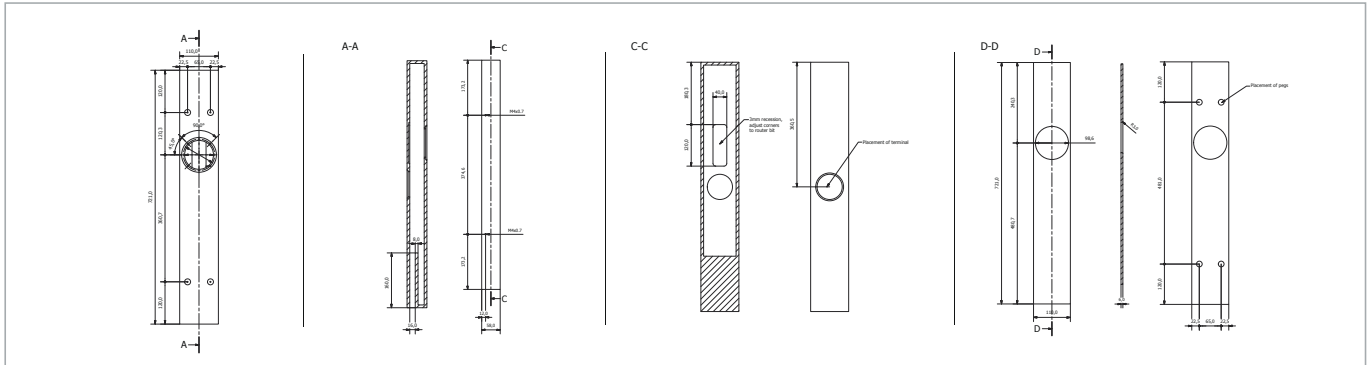
3 years warranty to match product warranty of displays for peace of mind



SPEAKER SYSTEM SP-55SM

ORDER CODE: 100013463

TECHNICAL DRAWINGS



TECHNICAL SPECIFICATIONS

ORDER CODE			
SP-55SM		100013463	
MAXIMUM INPUT			
Short Term Power*		100 W (Maximum)	
Long Term Power*		40 W (Maximum)	
RATED SPEAKER IMPEDANCE		8 Ohm	
FREQUENCY RESPONSE RANGE		70 Hz to 15 kHz	
SOUND PRESSURE LEVEL		82.1 dB (2.83 V)	
NOMINAL COVERAGE PATTERN (H X V)		90°	
RECOMMENDED AMPLIFIER		7 W to 50 W	
DIMENSIONS (W X H X D)			
Speaker Only	110 x 721 x 58 mm	Speaker Set incl. MultiSync® X552S	1254.5 x 725.3 x 64 mm
Speaker Set incl. MultiSync® V552	1249.7 x 721 x 64 mm	Speaker Set incl. MultiSync® P553	1250.2 x 721 x 64.5 mm
WEIGHT			
Speaker (Each)	2.8 kg	Speaker Set incl. MultiSync® X552S	30.1 kg
Speaker Set incl. MultiSync® V552	32.1 kg	Speaker Set incl. MultiSync® P553	30.9 kg
SUPPORTED NEC HARDWARE			
Large Format Displays	MultiSync® V552, X552S and P553		
Mounting Solutions	Wall Mount PDW S 32-55 L (100012666), Wall Mount PDW T M L (100013089); Single Trolley PDMHM-L (100013383); Double Display Trolley PDMVC (100013379)		
SHIPPING CONTENT	Speaker set, 2x 3m speaker cable, universal bracket set, bracket sets incl. screws and spacers, foam tape		
WARRANTY	3 years		
For additional pictures and Solutions overview, Visit www.nec-display-solutions.com for details.			

* IEC 268-5

This document is © Copyright 2013 NEC Display Solutions Europe GmbH. All rights are reserved in favour of their respective owners. The document, or parts thereof, should not be copied, adapted, redistributed, or otherwise used without the prior written permission of NEC Display Solutions Europe GmbH. This document is provided "as is" without warranty of any kind whatsoever, either express or implied. Errors and omissions are accepted.

NEC Display Solutions Europe GmbH may make changes, revisions or improvements in, or discontinue the supply of any product described or referenced in this document at any time without notice. 13. November 2013

NEC Information:

Call: +49 (0)89/99 699-0

Email: infomail@nec-displays.com

www.nec-display-solutions.com

Empowered by Innovation

