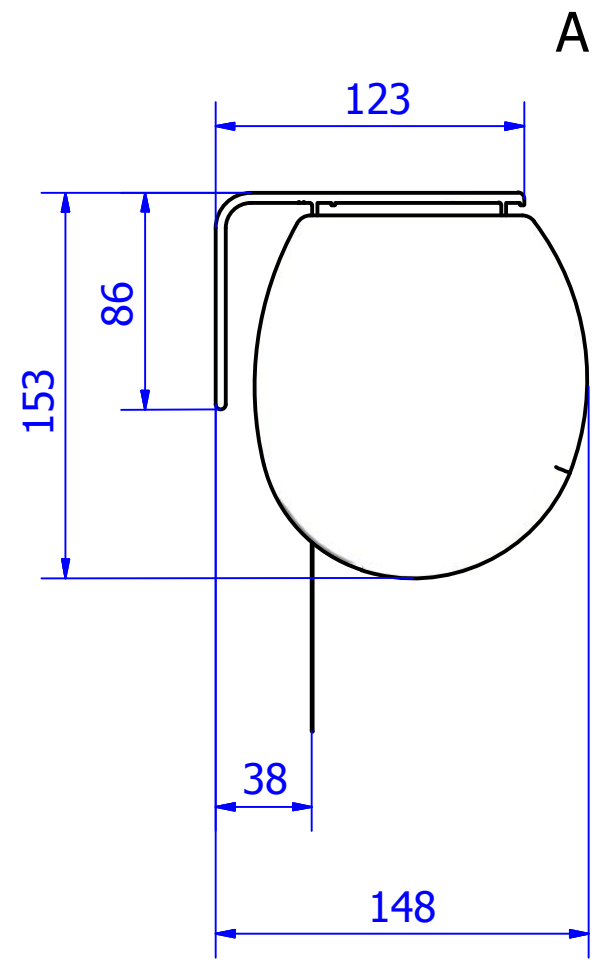
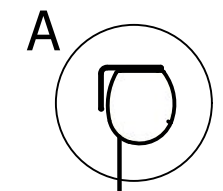


MOTOR



JAGO 16:10, VIEWING AREA 305x191, BLACK BORDERS		PRODUCT CODE: 1340423	
Rev.00		Sheet	1 / 1